

SPECIFICATIONS OF FCV-295

GENERAL

- Operating Frequencies**
The synthesized transceiver works with dual frequencies in 28 to 200 kHz. Specify transducer type when ordering, among 28/38/50/68/82/88/107/150/200 kHz
- Output Power** 1/2/3 kW
- Power Reduction** Auto/10 to 100% (in 10% step)
- Tx Rate** 20 to 3000/min
- Pulselength** Short1/Short2/Standard/Long/Manual (Manual Pulselength: 0.1 to 5.0 ms)
- RX Band** Narrow/Standard/Wide
- Amplifier** High dynamic range

DISPLAY

- Display** 10.4" color LCD (VGA: 640 x 480)
- Color** 8/16/64
- Brightness** 450 cd/m²
- Ranges** 5 to 3000 m (Split Range available)
- Shift** 0 to 2000 m
- Marker Zoom/Bottom-lock Expansion Ranges** 5 to 2000 m
- Display mode** Single (HF/LF), Dual, Single + Zoom, two Custom Modes
Zoom Mode (Bottom Lock, Bottom Zoom, Marker Zoom), Mix Mode, Nav data, A-scope
- Picture Advance Direction** Left, Right, L/R
- Picture Advance Speed** Stop, 1/16, 1/8, 1/4, 1/2, 1/1, 2/1, 4/1, Synchronized with own ship speed
- Alarms** Audio-visual alarms for a preset depth of water, fish and a preset value of water temperature
- Language** English, French, Spanish, German, Italian, Portuguese, Swedish, Danish, Norwegian, Finnish, Greek, Chinese, Japanese, Thai, Korean, Russian
- Others** Auto Mode, Interference, Clutter, TVG, Color Erase, Hue, Temp Graph, A-scope, White Marker

DATA INTERFACE

- NMEA0183 (Ver. 1.5, 2.0 or 3.0; Any talker)**
Input: BWC, GGA, GLC, GLL, GNS, GTD, HDG, HDT, MDA, MTW, MWV, RMA, RMB, RMC, VHW, VTG, XTE
Output: DBT, DPT, MTW, TLL, SDmrk, VHW, RMB, dat

ENVIRONMENTAL CONDITIONS

- Display Unit: -15 °C to +55 °C (IEC60945 tested)
Water Resistance: IP55 (When flush mounted)

POWER SUPPLY

- 12-24 VDC, 45 W max. 100/110/220/230 VAC with optional rectifier

EQUIPMENT LIST

Standard

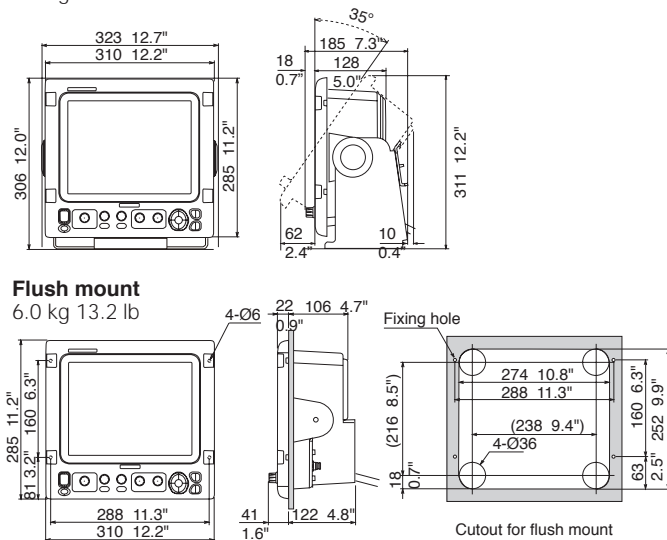
- Display Unit
- Installation Materials and Standard Spare Parts

Option

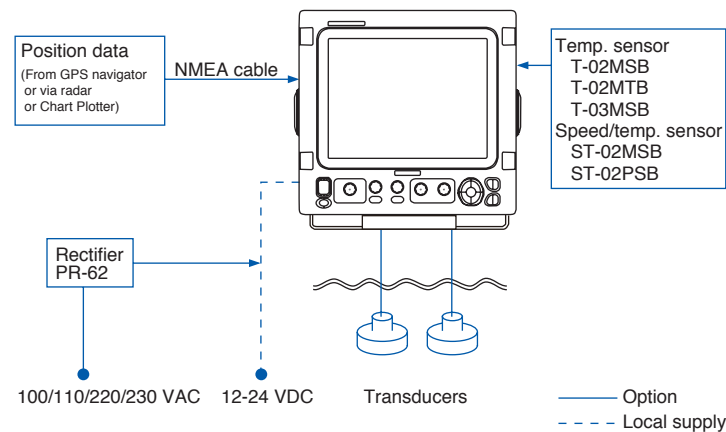
- Speed/temperature sensor
ST-02MSB (Thru-hull, bronze), ST-02PSB (Thru-hull, plastic)
- Temperature sensor
T-02MSB (Thru-hull, bronze), T-02MTB (Transom, bronze), T-03MSB (Thru-hull, bronze)
- NMEA cable MJ-A6SPF0003-050C (5 m)
CO-SPEVV-SB-C 2P x 0.2SQLF (5/10/15 m)
- Rectifier PR-62
- Transducer (Specify the frequency and type of transducer)
 - 1 kW: 28F-8 (28 kHz), 50B-6/6B (50 kHz), 50B-9B (50 kHz), 68F-8H (68 kHz), 88B-8 (88kHz), 200B-5S (200 kHz), 50/200-1T (50/200 kHz), 50/200-12M (50/200 kHz)
 - 2 kW: 28F-18 (28 kHz), 28BL-6HR (28 kHz), 38BL-9HR (38 kHz), 50B-12 (50 kHz), 50BL-12/12HR (50 kHz), 82B-35R (66-209 kHz), 88B-10 (88 kHz), 200B-8/8B (200 kHz)
 - 3 kW: 28F-24H (28 kHz), 28BL-12HR (28 kHz), 38BL-15HR (38 kHz), 50F-24H (50 kHz), 50BL-24H/24HR (50 kHz), 68F-30H (68 kHz), 88F-126H (88 kHz), 100B-10R (100 kHz), 150B-12H (150 kHz), 200B-12H (200 kHz)

DISPLAY UNIT FCV-295

7.0 kg 15.4 lb

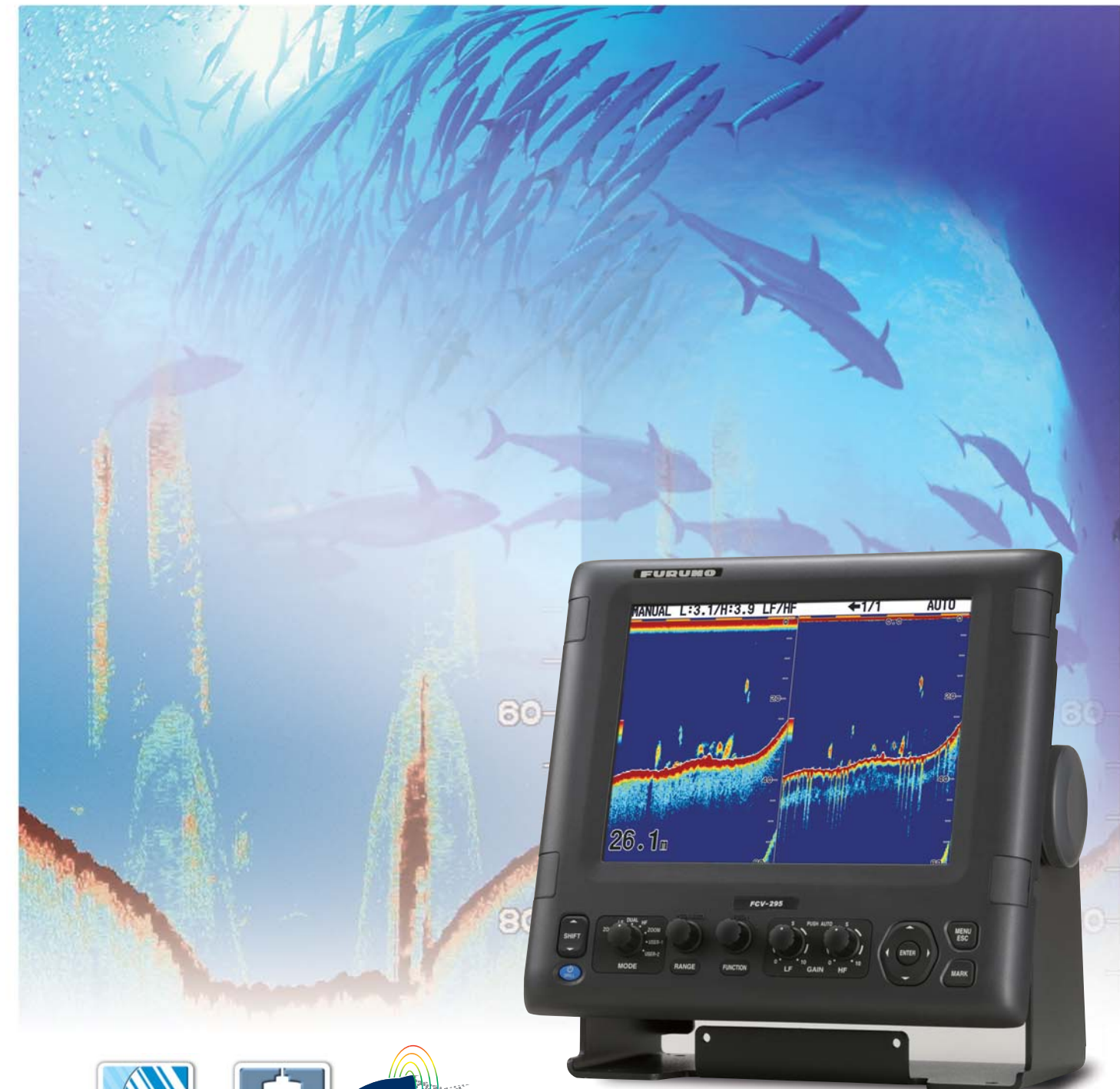


INTERCONNECTION DIAGRAM



TRADEMARK REGISTERED
SPECIFICATIONS SUBJECT TO CHANGE WITHOUT NOTICE

COLOR LCD SOUNDER
FCV-295



FURUNO ELECTRIC CO., LTD.
Nishinomiya, Hyogo, Japan
Phone: +81 (0)798 65-2111
Fax: +81 (0)798 65-4200, 66-4622

FURUNO FRANCE S.A.S.
Bordeaux-Mérignac, France
Phone: +33 5 56 13 48 00
Fax: +33 5 56 13 48 01

FURUNO NORGE A/S
Ålesund, Norway
Phone: +47 70 102950
Fax: +47 70 102951

FURUNO POLSKA Sp. Z o.o.
Gdynia, Poland
Phone: +48 58 669 02 20
Fax: +48 58 669 02 21

PRINTED WITH SOYINK 08013U Printed in Japan
Catalogue No. E-405

FURUNO ESPAÑA S.A.
Madrid, Spain
Phone: +34 91-725-90-88
Fax: +34 91-725-98-97

FURUNO SVERIGE AB
Västra Frölunda, Sweden
Phone: +46 31-7098940
Fax: +46 31-497093

FURUNO DEUTSCHLAND GmbH
Rellingen, Germany
Phone: +49 4101 838 0
Fax: +49 4101 838 111



FURUNO DANMARK AS
Hvidovre, Denmark
Phone: +45 36 77 45 00
Fax: +45 36 77 45 01

FURUNO FINLAND OY
Espoo, Finland
Phone: +358 9 4355 670
Fax: +358 9 4355 6710

LLC "FURUNO EURUS"
St. Petersburg, Russian Federation
Phone: +7 812 767 15 92
Fax: +7 812 766 55 52



